

Toi!itech[®]



air toilets

TDRY



TDRY is an **ECOLOGICAL** and **ENVIRONMENT IMPACT ZERO** toilet. Doesn't use water, electricity or chemicals. **TDRY USES THE ACTION OF THE WIND AND THE SUN** to create a natural circulation of air that dries and dehydrates organic waste. The Tdry system is designed to allow a constant flow of air through the toilet, **ELIMINATING THE PROBLEM OF WASTE**. These toilets are perfect for natural sites and can be easily installed in any context. **TDRY DOESN'T NEED SEWER CONNECTION** or concrete foundations and are particularly suitable for installation in:

- ⇒ Beaches
- ⇒ Car park mountain
- ⇒ Parking areas
- ⇒ Picnic areas
- ⇒ Bicycle paths
- ⇒ Golf courses

All materials used in the TDRY toilets come from sustainable sources and are perfectly integrated with the natural environment.

There are 3 models: TS1, TS2 and TS3. The models TS2 and TS3 are also adaptable for disabled users.

HOW DOES IT WORK? The system works by evaporation and dehydration, relying on wind and sun energy alone. It doesn't work like a composting toilet so there is nothing to add. Dry toilets don't need connection to water, sewage, electricity. The system separates by gravity waste liquids from solids without maceration and smells. Dry toilets are designed to encourage a near constant flow of air through the toilet, thereby reducing the waste volume and rendering it neutral and safe to handle, allowing the evaporation of liquids and dewatering of solids. The drying and the oxidation of waste accumulated in the tank allows the natural reduction of the volume (about 90%) and transforms them into a neutral material and odorless, which are then collected in special bags and downloaded 1-2 times a year.

HOW TO MAINTAIN? The only maintenance is to evacuate the dehydrated material, the volume is reduced by natural oxidation. The frequency of this cleaning is generally from 1 to 2 times per year. It is not required technical maintenance, it's a very easy system without mechanism. Interior of the toilet is cleaned regularly: PTMatic can provide a system of high pressure cleaning (**KAR-MATIC**), which allows a good cleaning with an extreme ease of use and low water usage.





A light breeze is enough to start the extractor fan and vent the toilet

The flow of forced air:

- Reduces the volume of waste
- Destroys pathogens and promotes aerobic bacteria
- Deleting odors

The "chimney" is heated by the sun and accelerates the flow of air inside

The air aspirated through the toilet prevents the escape of unpleasant odors

A constant flow of air evaporates liquids and dry solids



NO WATER



NO ELECTRICITY

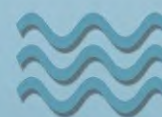


NO CHEMICAL



NO CONNECTION

Dry toilets operates with just a bit of sun and wind and can be installed anywhere



Toilets are made by materials from sustainable sources and are perfectly integrate with environment

TDRY are strong free-standing toilets, easy to install, ready to use and easy to maintain

air toilets

TDRY



TS1

TS1 is small, light, easy to assemble and fits just about anywhere.

TS1 was designed for easy assembly with the minimum of tools. It can be put together by a single person in a couple of hours or less but, with galvanised steel base frame, high quality wood parts and stainless steel fixings, it will stay up for a very long time.

- ⇒ **100% recyclable**
- ⇒ **Wood 100% sustainable sourced**

The steel base frame is designed to be filled with concrete or other stabilised material in order to firmly anchor the cabin to the ground although alternative anchoring systems can be used.



TS2

Shipped entirely on a single double pallet, the TS2 is put together from a modular steel frame and clad in vertical wood siding from which three versions can be derived. When the installation site is tricky, the TS2 is great because can be positioned in any direction. With it's curved footprint and door, which can slide in both directions, the opening can be placed on either side of the cabin.

The TS2 is available in three versions:

⇒ **TS2-std:**

This is the standard version, made up of four quarter-circle sections to make a circular cabin.

⇒ **TS2-pmr:**

With two straight sections added, the cabin becomes an oval with full access for persons of reduced mobility.

⇒ **TS2-ur:**

This is an annex to the TS2-prm and houses a urinal.



TS3

Our latest addition to the range
Uses modern, sustainable materials in an eye catching design.

The all new TS3 takes it's cue from ship hull design. With sparing use of high quality, modern sustainable materials, the TS3 is both super light and super rigid.

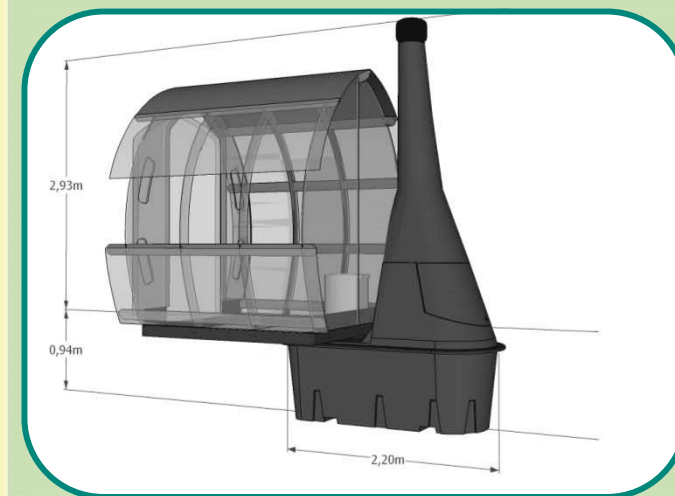
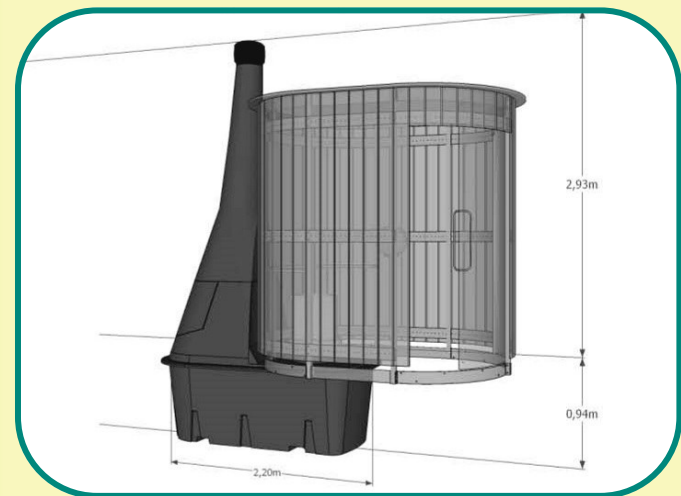
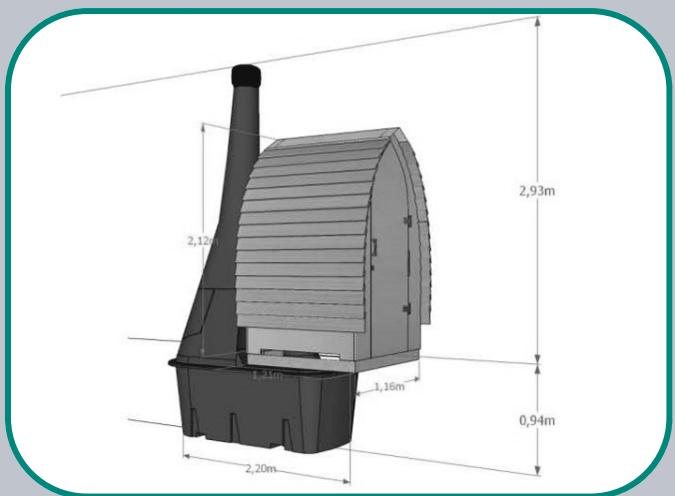
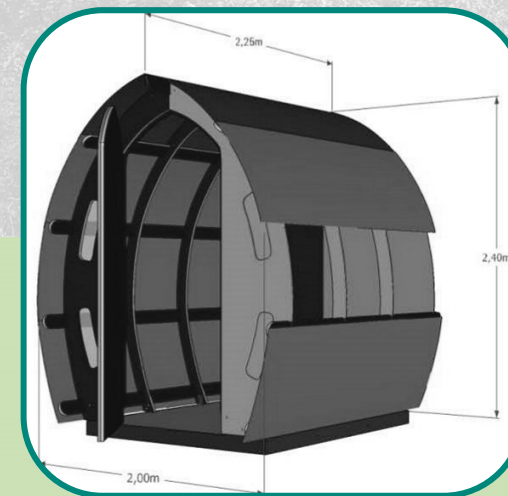
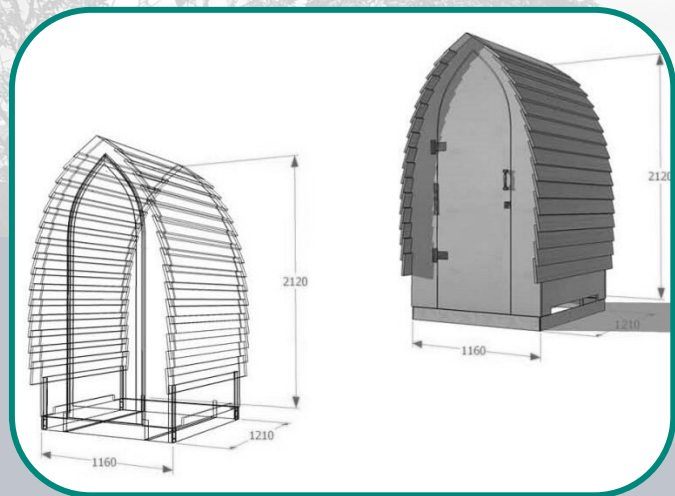
- ⇒ **Galvanised steel base**
- ⇒ **Frame in exterior grade, 18mm Finnforest ply, all weather phenolic coating**
- ⇒ **End walls and door section in exterior grade, 18mm Finnforest ply, all weather phenolic coating**
- ⇒ **Roof in Alupanel: a weatherproof, aluminium and polyethylene sandwich. Long lasting, super resistant, this material is available in a variety of colours**



TS1

TS2

TS3

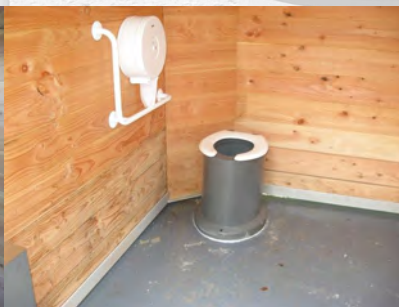




TS PLUS

TS PLUS toilets offer the adaptability of dry toilets with the comfort of traditional public toilets

- External cladding with wood slabs with pitched roof.
- Interior walls could be made of tiles, wood or HPL.
- Floor can be natural or compacted sand, concrete or tiles.
- The self-closing door is equipped with a programming system of the opening and closing times.
- TS PLUS features LED lighting with presence detector system inside.
- It is also possible to install a system of high-pressure cleaning: **KAR-MATIC**.



air toilets

TDRY

HOW TO INSTALL?



1



Excavation to install the tank

2



The tank is placing

3



The main structure of the toilet is assembled and positioned

4



The wooden walls are fixed to the structure

5



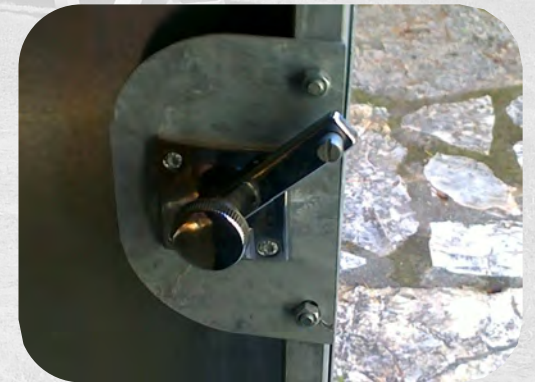
The dry toilet is ready for use



PROJECTS

air toilets

TDRY









air toilets

TDRY







air toilets

TDRY





air toilets



TDRY



air toilets

TDRY

INTERIORS



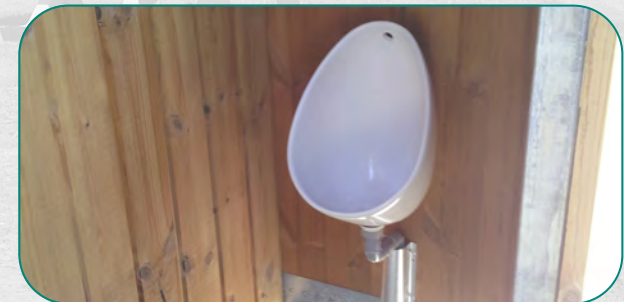
Toilet paper dispenser

Disable Handrail

Wc bowl



Equipments for disable users



Urinal

ACCESSORIES



INTERNAL LIGHTING SYSTEM WITH DETECTION OF PRESENCE PERSON, POWERED BY PHOTOVOLTAIC PANELS

TILES FLOOR



TOILET PAPER DISPENSER

HIGH PRESSURE WASHING SYSTEM KAR-MATIC



CONCRETE FLOOR

COMPACT SAND FLOOR



URINALS



WASTE BIN



www.toilitech.com

VIA GIOTTO 1
20010 BAREGGIO (MI) - ITALY
Tel.: (+39) 02 90 39 00 02
Fax: (+39) 02 90 19 26 2
info@toilitech.com

air toilets

TDRY